



Technical Bulletin - Safety Alert

- Place a copy of this bulletin in the front of each Blueprints Manual.
- Redline drawings as needed and include a TB reference note.
- Document TB implementation schedule request and completion:

TB Number: 102
Date Issued: 04/15/2016
Expiration Date: None

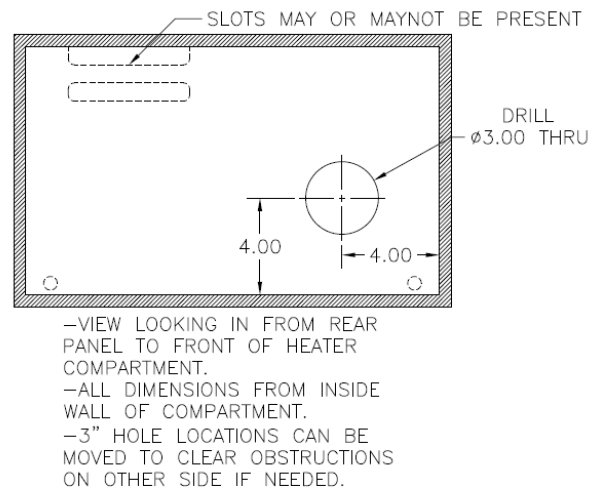
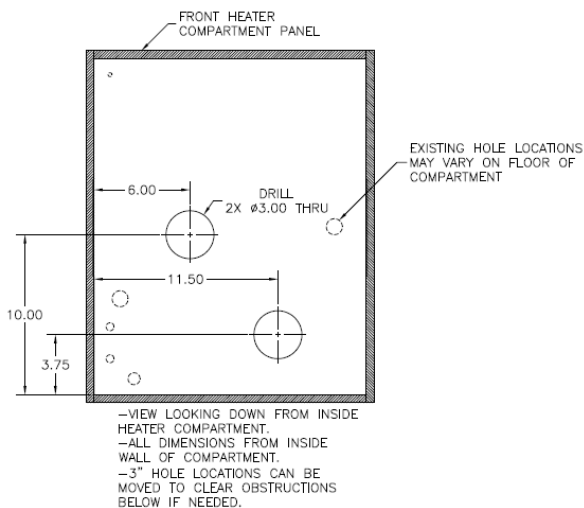
Date Scheduled _____ Date Completed _____
 Completed by (name) _____

Subject/Key Words:	GAMA Module Heater Compartment Leak Containment CIP			
Classification:	<input checked="" type="checkbox"/> Informational	<input type="checkbox"/> Mandatory	<input checked="" type="checkbox"/> Safety Alert	<input type="checkbox"/> Preventive Maintenance Impact
	<input type="checkbox"/> Warranty Impact	<input type="checkbox"/> Purchase Parts	<input type="checkbox"/> No Charge For Parts expires ___ / ___ / ___. Reference this TB# when ordering NC parts.	
Application:	GAMA Heated Recirc Modules			

Issue: On many older GAMA modules chemical leaks in the heater compartment will not drain into the plenum quickly enough through the small drainage hole provided. When a substantial leak occurs, as in the case of a line breaking or fitting failure, chemical can back up inside the compartment and leak from the compartment to outside the module through the door and other openings.

Solution: Add larger drainage holes to the floor, as well as front panel of the heater compartment. This will allow the chemical to drain from the compartment to the plenum at a rate which will prevent any backup and leakage outside of the module. This modification also brings the module closer to the current module configuration in use today. The drawings below show the location of the new drilled holes. Technicians making this modification should use these drawings as a general starting point. The location can be moved provided the holes are still drilled on the same panels as shown.

Note: Locate the front wall through hole as low as possible to augment drainage as well as venting. Although there are safeguards to detect leaks that will disable pumps and heaters, this improvement will aid in the rapid draining of the heater compartment to promote any circulation system leak or breach to remain contained within the chemical module. All new builds will incorporate rapid drainage designs to all GAMA heater compartments.



Contact Akzion Technical Support Department via e-mail at technicalsupport@akrionsystems.com or call 800 TECH SOS if you have technical questions or require more information. Authorized service personnel to contact Document Control department at doccontrol@akrionsystems.com to request the current procedures and controlled documents.